

INSTALLATION INSTRUCTIONS CORNER GUARD SYSTEMS CG-SS, CG-SS135, CG-SS-EW

For attachment with mastic, make sure wall is smooth and free of grease or oil so corner guards will fit tight to corner, and adhere properly.

1. Put a small bead of mastic on both inside edges of the corner guard. Stay far enough away from the edge so when the corner guard is pressed against the wall the mastic does not bleed out past the edges of the corner guard.
2. Rest the bottom corner of the corner guard on the floor or the top of the cove base and gently press into place against the corner. It is important that the corner guard is supported, because it will slide down the wall until the mastic sets.
3. Remove the protective covering from the face of the corner guard and clean surfaces as necessary.

For attachment with screws, make sure the wall is smooth so corner guard will fit tight to wall.

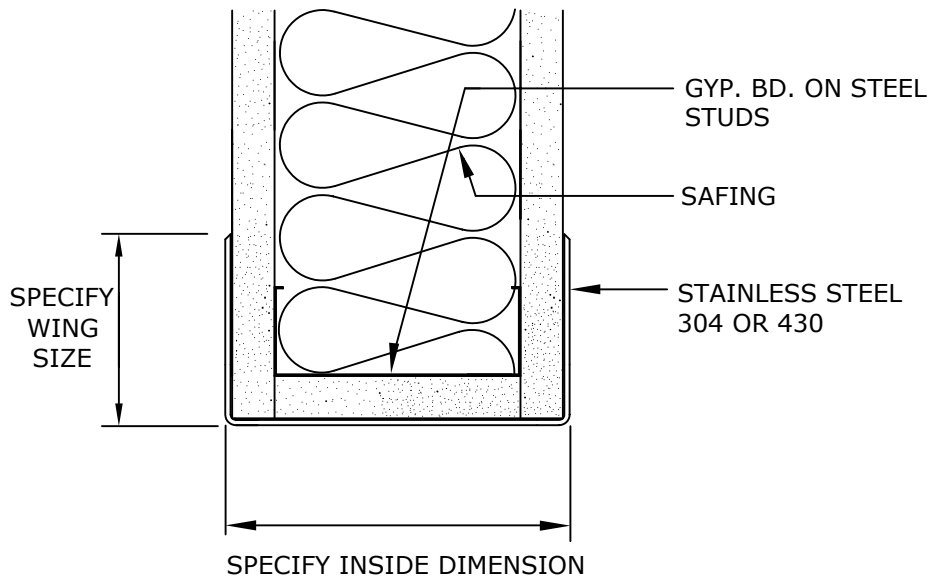
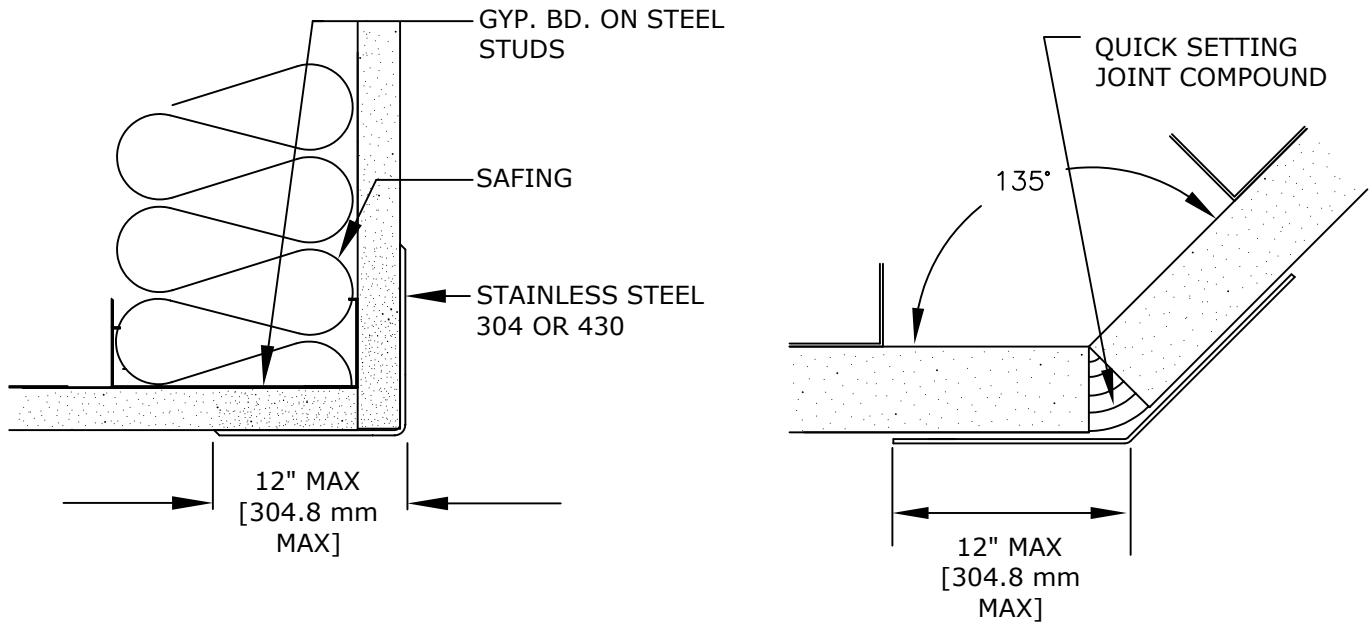
1. Put the corner guard in place on the wall. It can be temporarily held in position with duct tape.
2. Install attachment screws.
3. Remove protective covering from the face of the corner guard and clean surfaces as necessary.



151 FIFTH AVE. NW SUITE J ST. PAUL, MN 55112-3268
TOLL-FREE 800.521.1826 TEL 651.631.1607 FAX 651.631.0251

PARTS LIST

CG-SS, CGSS-135, CGSS-EW

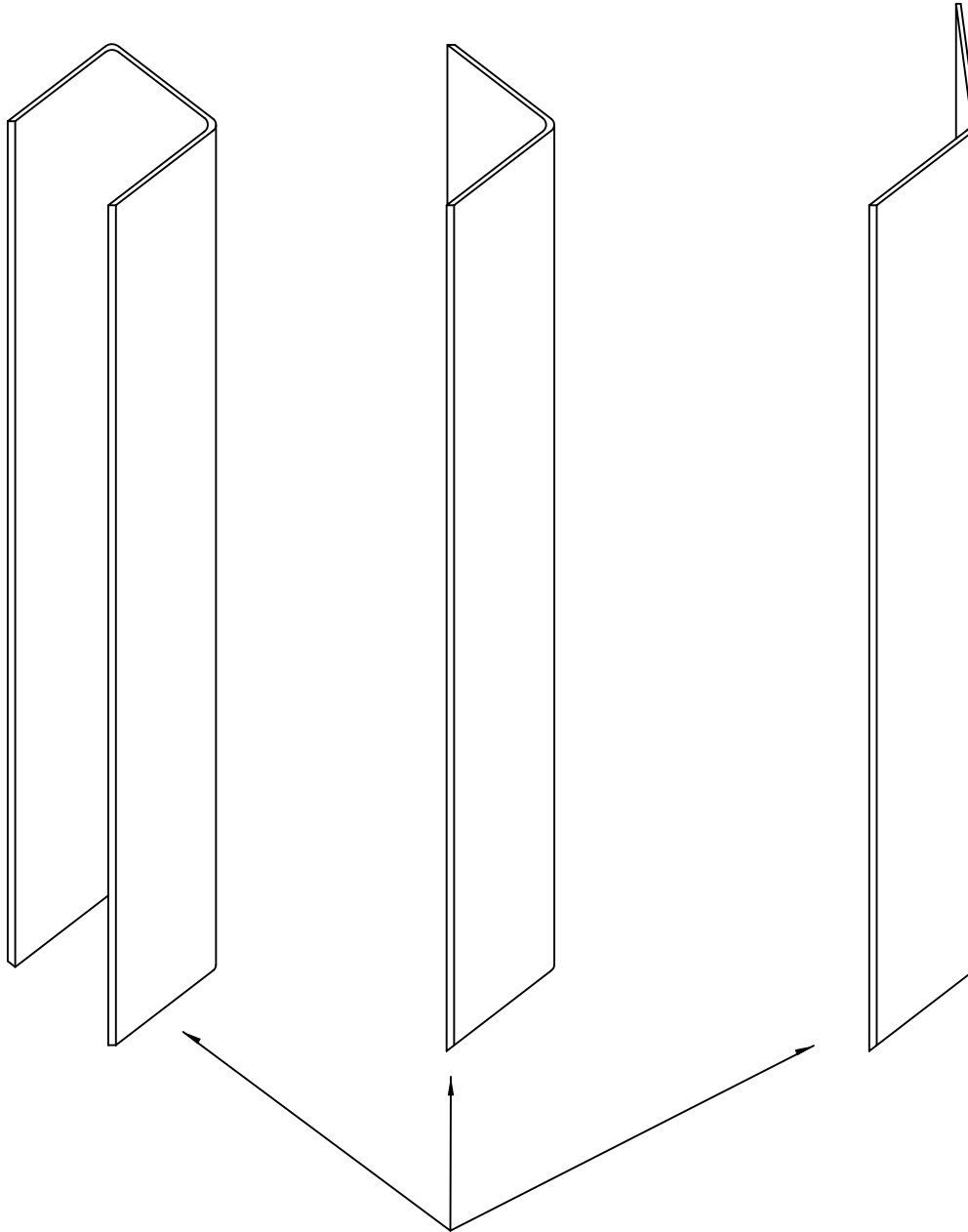


ASSEMBLY DRAWING

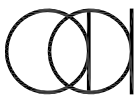
CG-SS-EW

CG-SS

CG-SS-135



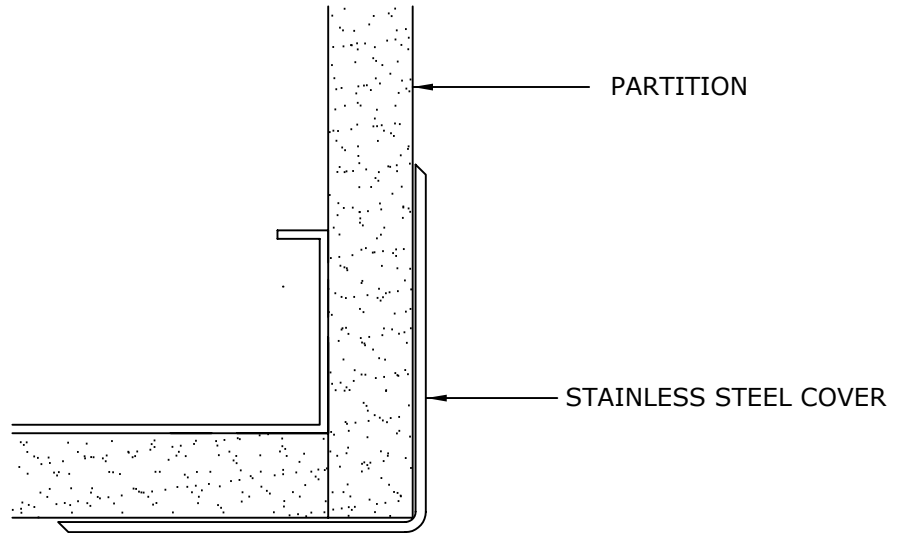
STAINLESS STEEL
304 OR 430



Arden
Architectural
Specialties, Inc.™

151 FIFTH AVE. NW SUITE J ST. PAUL, MN 55112-3268
TOLL-FREE 800.521.1826 TEL 651.631.1607 FAX 651.631.0251

PLAN VIEW CG-SS



NOTES:

1. REFER TO INSTALLATION INSTRUCTIONS FOR INFORMATION, INCLUDING PART NUMBERS.

IMPORTANT: USER SHALL VERIFY CONFORMANCE OF ALL CONSTRUCTIONS SHOWN WITH LOCAL CODES AND WITH REQUIREMENTS OF METAL STUD MANUFACTURER FOR RATINGS. FASTENERS AND PARTITION COMPONENTS NOT BY ARDEN ARCHITECTURAL SPECIALTIES, INC.

TYPICAL FASTENING CONDITIONS SHOWN BELOW

1 LAYER GYP. BD.	2 LAYERS GYP. BD.	MASONRY	GYP. BD. & MASONRY
QTY:	QTY:	QTY:	QTY:

SPECIFICATION:

GENERAL: FURNISH AND INSTALL CORNER GUARD SYSTEM(S) BY ARDEN ARCHITECTURAL SPECIALTIES, INC., AS SHOWN AND SPECIFIED.

INSTALLATION: SECURE TO WALL OR PARTITION IN ACCORDANCE WITH MANUFACTURER'S PRINTED INSTRUCTIONS. USE MASTIC OR FASTENERS DESIGNED AND APPROVED FOR PURPOSE INTENDED, SPACED 16 INCHES [406.4mm] O.C. EACH LEG.



151 FIFTH AVE. NW SUITE J ST. PAUL, MN 55112-3268
TOLL-FREE 800.521.1826 TEL 651.631.1607 FAX 651.631.0251