

# INSTALLATION INSTRUCTIONS

## CRASH RAIL SYSTEMS CRS-6 & CRSD-6

### STORAGE, HANDLING & ENVIRONMENTAL CONDITIONS:

1. All materials shipped unassembled. Store vertically or on flat horizontal surface.
2. Begin installation only after finish construction has been completed and building interior has been within temperature range intended for continued use for at least 24 hours. Cut vinyl and aluminum components to fit only after they have been at temperature intended for continued use for 24 hours.

### INSTALLATION:

1. General: Carefully measure and mark all field-cuts and field-drilled holes to achieve properly supported, level installation with all joints neat and hairline tight.
2. Measure and mark top of rail and rail system centerline on wall or partition. Locate system centerline 3" [76.2mm] below line representing top of rail.
3. Measure and mark horizontal centerlines of retainer clip fasteners on wall or partition 2" [50.8mm] above and below system centerline. Hold a clip against wall or partition to verify that these centerlines align with drill lines on clips.
4. Measure and mark locations of all vertical joints on wall or partition. Be sure to mark locations of joints that will be exposed in final installation, including joints between cover and returns, between cover and corners, and between abutting cover lengths, if any.
5. Measure and mark vertical retainer-clip centerlines on wall or partition 32" [812.8mm] O.C. max., unless otherwise specified or shown, and at distances from cover ends and butt joints as shown (see Standard Plan Detail).
6. Locate retainer-clip fastener holes by drawing a small circle around each intersection of a horizontal retainer-clip centerline and a vertical retainer-clip centerline. Use level to verify that top and bottom holes for each clip will align vertically.
7. Measure and mark fastener holes for returns and corners on wall or partition. Note: These holes will NOT align with horizontal, retainer-clip fastener centerlines. Holding each return and corner unit against wall or partition so that top of unit aligns precisely with line indicating top of rail, and so that face of unit to abut cover aligns precisely with line indicating cover end, carefully mark centers of factory-molded holes on wall or partition. Use level to verify that top and bottom holes for each unit will align vertically.
8. Pre-drill fastener holes in wall or partition, and in retainer clips, at locations marked. Make hole diameter as small as possible, allowing for fasteners. For most drywall applications, we recommend 1/4"-20 bolts and 1/4" size BB strap-type Toggler brand toggles by Mechanical Plastics. For most masonry applications, we recommend 1/4" lag screws and Toggler brand "alligator" anchors by Mechanical Plastics.
9. Secure retainer clips, returns and corners to wall or partition. Assemble fasteners, insert through holes in clips, returns, corners, into holes in wall or partition, and secure per fastener and manufacturer's printed instructions.
10. Install retainer cushion by snapping it into place between flanges on retainer clips. .
11. Install cover. Measure and cut cover lengths to fit between returns and corners exactly. Use longest practical lengths to minimize number of joints. Cover joints must be placed at the center of retainer clips. Secure cover to retainer clips by hooking over top clip and snapping over bottom clip.
12. Use mild detergent to clean soiled surface. Do not use powdered cleansers, as they may leave residue embedded in cover surface.

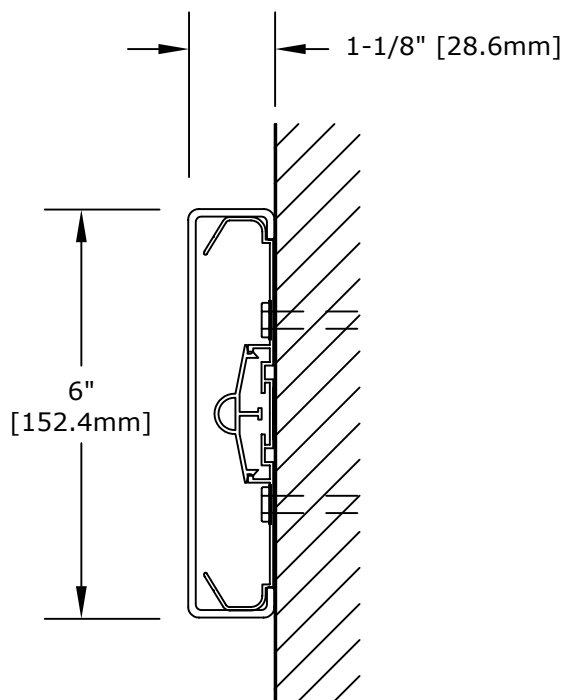


Arden  
Architectural  
Specialties, Inc.™

151 FIFTH AVE. NW SUITE J ST. PAUL, MN 55112-3268  
TOLL-FREE 800.521.1826 TEL 651.631.1607 FAX 651.631.0251

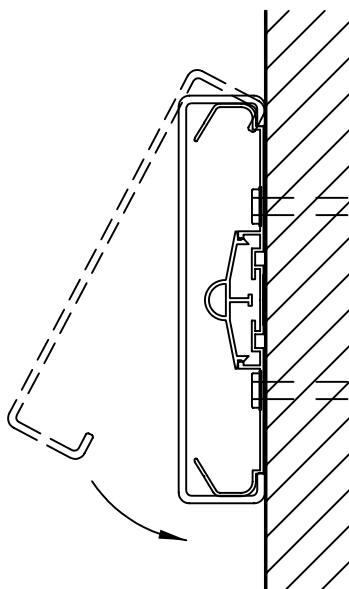
# PARTS LIST

## CRS-6



- 2" ALUMINUM RETAINER CLIP - #A044
- CONT. VINYL RETAINER CUSHION - #V111 VINYL
- ACRYLIC COVER - #V112
- L.H. END RETURN - #CRS-6CLR
- R.H. END RETURN - #CRS-6CRR
- OUTSIDE CORNER - #CRS-6COS
- #8 X 1/2" S.M.S. - #A300

## COVER INSTALLATION



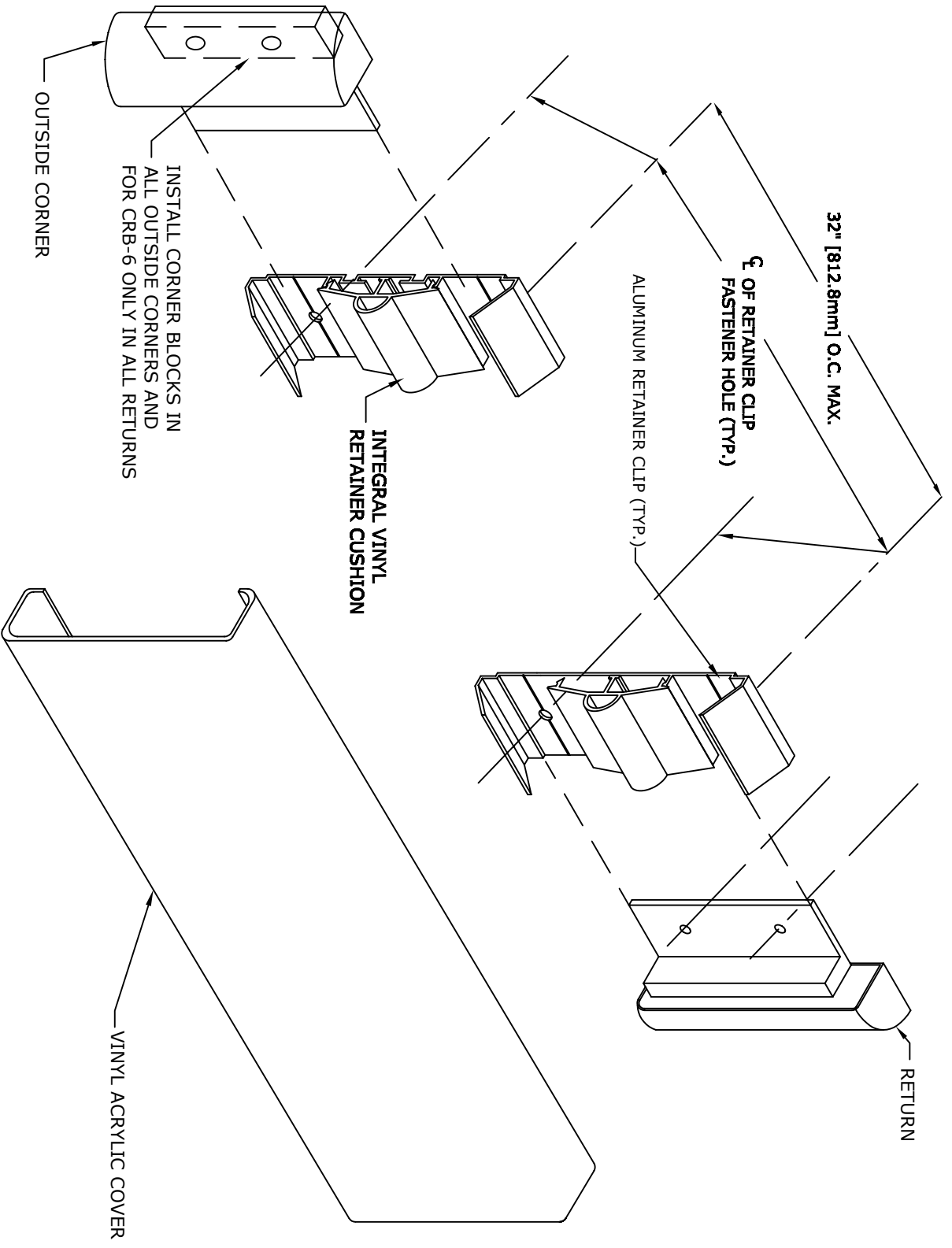
1. HOOK OVER TOP OF RETAINER.
2. ROTATE DOWNWARD, PUSHING FIRMLY TO SNAP OVER RETAINER BOTTOM.



Arden  
Architectural  
Specialties, Inc.™

151 FIFTH AVE. NW SUITE J ST. PAUL, MN 55112-3268  
TOLL-FREE 800.521.1826 TEL 651.631.1607 FAX 651.631.0251

# ASSEMBLY DRAWING CRS-6 & CRSD-6



INSTALL CORNER BLOCKS IN ALL OUTSIDE CORNERS AND FOR CRB-6 ONLY IN ALL RETURNS

OUTSIDE CORNER



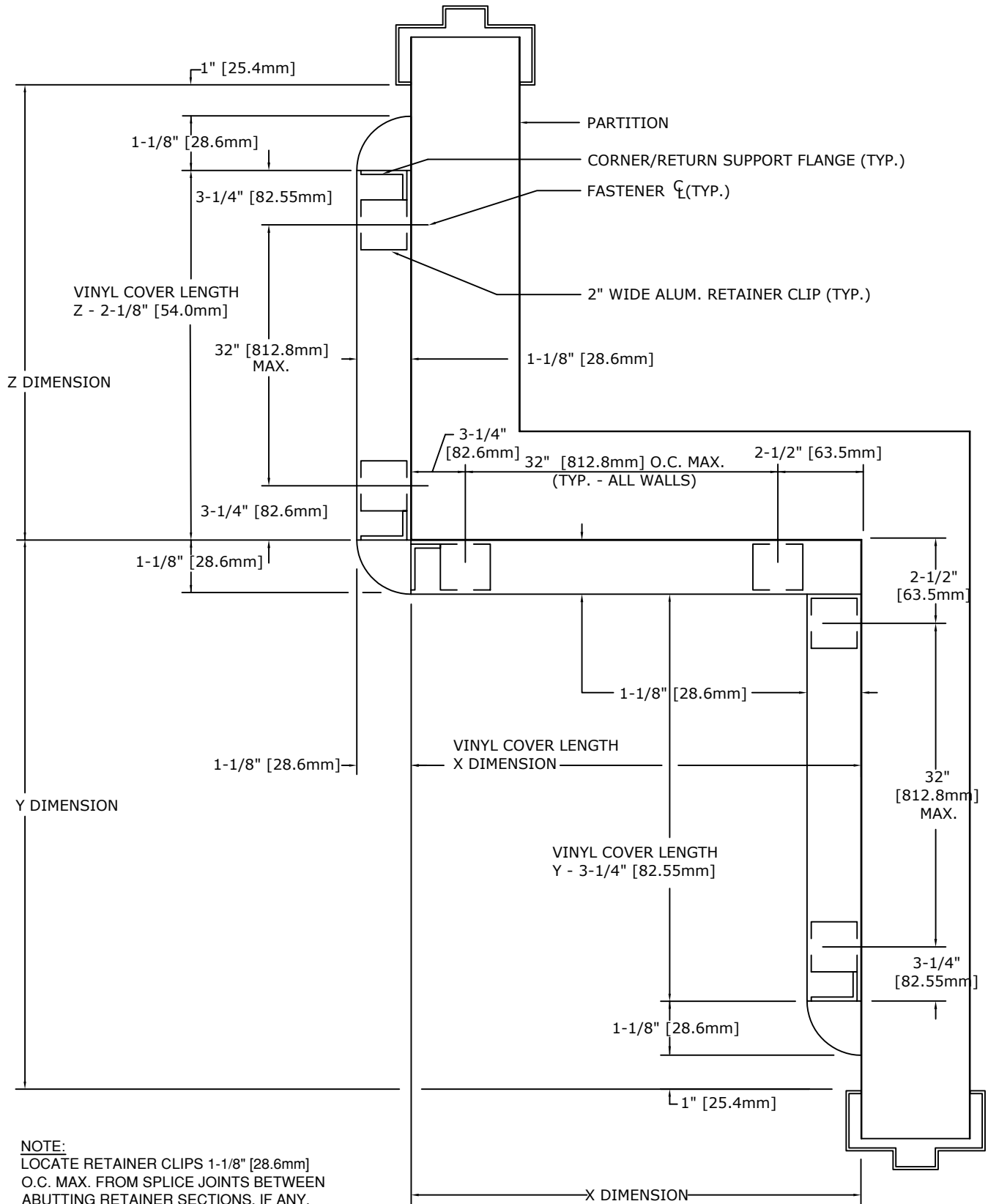
Arden  
Architectural  
Specialties, Inc.™

151 FIFTH AVE. NW SUITE J ST. PAUL, MN 55112-3268  
TOLL-FREE 800.521.1826 TEL 651.631.1607 FAX 651.631.0251

VINYL ACRYLIC COVER

# STANDARD PLAN DETAIL

## CRS-6 & CRSD-6

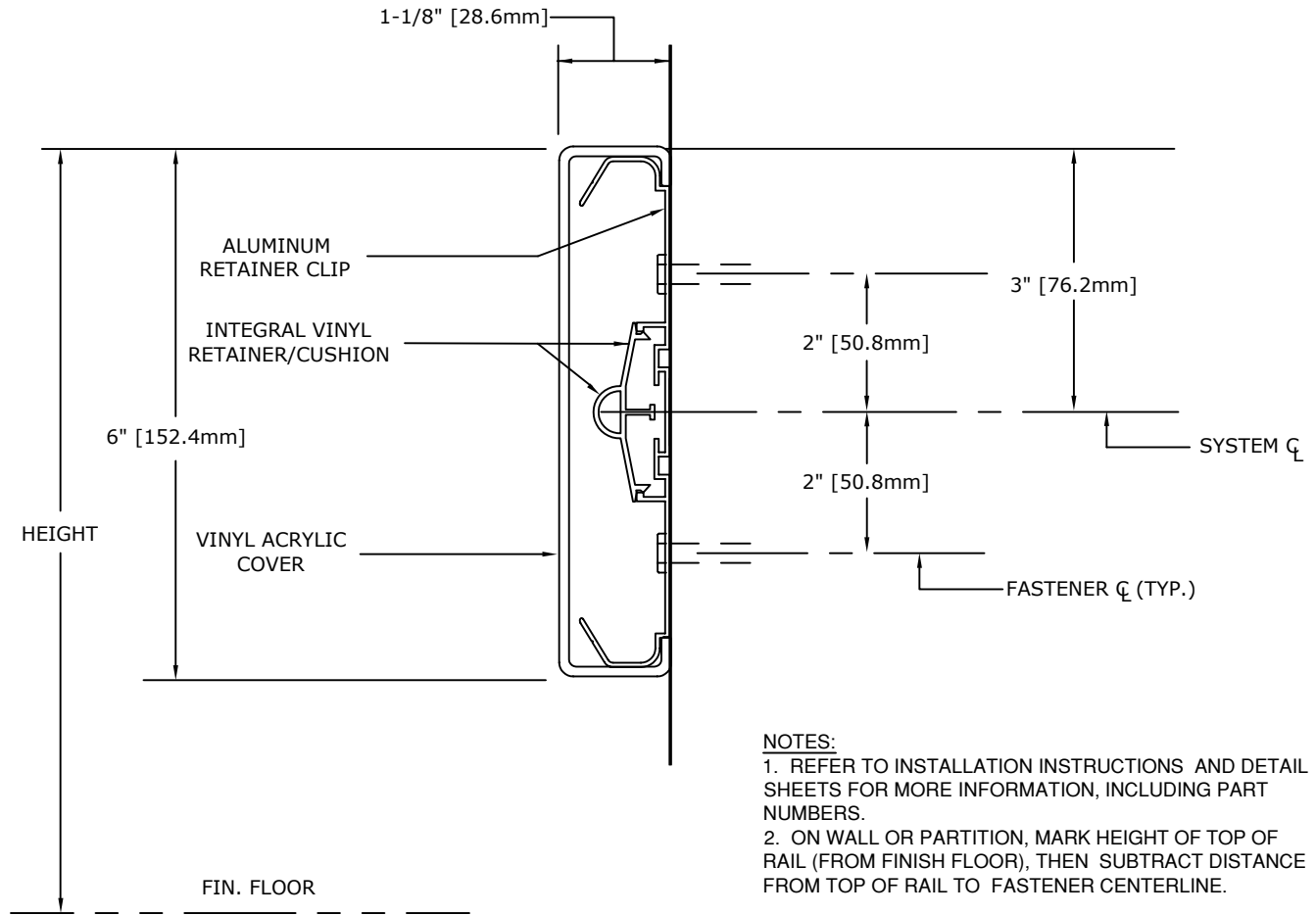


**NOTE:**  
LOCATE RETAINER CLIPS 1-1/8" [28.6mm]  
O.C. MAX. FROM SPLICE JOINTS BETWEEN  
ABUTTING RETAINER SECTIONS, IF ANY.



151 FIFTH AVE. NW SUITE J ST. PAUL, MN 55112-3268  
TOLL-FREE 800.521.1826 TEL 651.631.1607 FAX 651.631.0251

# FASTENER HEIGHT CRS-6 & CRSD-6

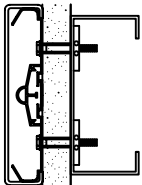
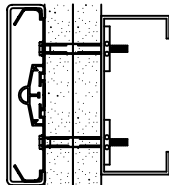
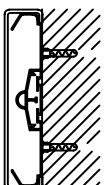
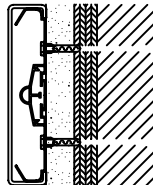


**NOTES:**

1. REFER TO INSTALLATION INSTRUCTIONS AND DETAIL SHEETS FOR MORE INFORMATION, INCLUDING PART NUMBERS.
2. ON WALL OR PARTITION, MARK HEIGHT OF TOP OF RAIL (FROM FINISH FLOOR), THEN SUBTRACT DISTANCE FROM TOP OF RAIL TO FASTENER CENTERLINE.

IMPORTANT: USER SHALL VERIFY CONFORMANCE OF ALL CONSTRUCTIONS SHOWN WITH LOCAL CODES AND WITH REQUIREMENTS OF METAL STUD MANUFACTURER FOR RATINGS. FASTENERS AND PARTITION COMPONENTS NOT BY ARDEN ARCHITECTURAL SPECIALTIES, INC.

## TYPICAL FASTENING CONDITIONS SHOWN BELOW

<p>1 LAYER GYP. BD.</p>  <p>1/4"-20 X 2-3/4" BOLT AND TYPE BB TOGGLER BY MECHANICAL PLASTICS</p> <p>QTY:</p>	<p>2 LAYERS GYP. BD.</p>  <p>1/4"-20 X 2-3/4" BOLT AND TYPE BB TOGGLER BY MECHANICAL PLASTICS</p> <p>QTY:</p>	<p>MASONRY</p>  <p>1/4" X 3" LAG SCREW AND TYPE AF6 ALLIGATOR ANCHORS BY MECHANICAL PLASTICS</p> <p>QTY:</p>	<p>GYP. BD. &amp; MASONRY</p>  <p>1/4" X 3" LAG SCREW AND TYPE AF6 ALLIGATOR ANCHORS BY MECHANICAL PLASTICS</p> <p>QTY:</p>
---	--	--	--

**SPECIFICATION:**

**GENERAL:** FURNISH AND INSTALL CRASH RAIL SYSTEM(S) BY ARDEN ARCHITECTURAL SPECIALTIES, INC., AS SHOWN AND SPECIFIED.

**INSTALLATION:** SECURE TO WALL OR PARTITION IN ACCORDANCE WITH MANUFACTURER'S PRINTED INSTRUCTIONS. USE FASTENERS DESIGNED AND APPROVED FOR PURPOSE INTENDED, SPACED 32 INCHES [812.8mm] O.C. MAX, UNLESS SPECIFIED OTHERWISE. INSTALL SYSTEM IN ACCORDANCE WITH ALL CODES HAVING JURISDICTION.



151 FIFTH AVE. NW SUITE J ST. PAUL, MN 55112-3268  
TOLL-FREE 800.521.1826 TEL 651.631.1607 FAX 651.631.0251