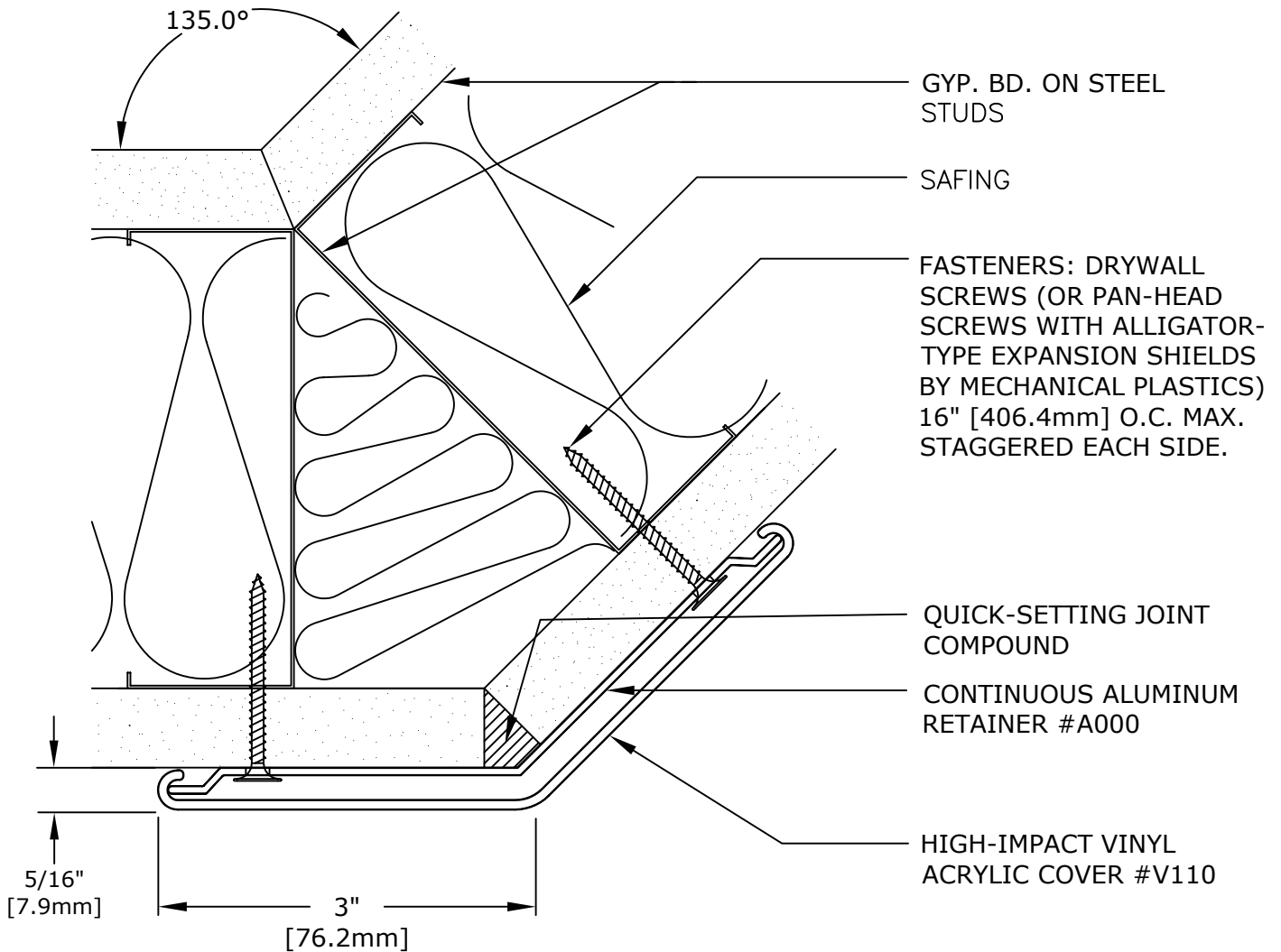


# Wallwear® Integrated Wall Protection Systems



RELATED PARTS NOT SHOWN  
END CAP #M262

## CORNER GUARD CGS-135

IMPORTANT: USER SHALL VERIFY CONFORMANCE OF ALL CONSTRUCTIONS SHOWN WITH LOCAL CODES AND WITH REQUIREMENTS OF METAL STUD MANUFACTURER FOR RATINGS. FASTENERS AND PARTITION COMPONENTS NOT BY ARDEN ARCHITECTURAL SPECIALTIES, INC.

SURFACE MOUNT CORNER GUARDS		DATE:	SCALE:
<p><u>GENERAL SPECIFICATION</u></p> <p><u>RETAINER:</u> ALUMINUM ALLOY TYPE 6063-T5, MILL FINISH .062" [1.57mm] THICK</p> <p><u>COVER:</u> HIGH-IMPACT VINYL ACRYLIC, IN ACCORDANCE WITH ASTM D 4226 AND ASTM D 256, .078" [1.98mm] THICK</p> <p><u>CONTINUOUS LENGTH AVAILABLE:</u> 18' [5.49M] MAXIMUM</p>		<p>PROJECT:</p> <p>ARCHITECT:</p> <p>CONTRACTOR:</p> <p>REPRESENTATIVE:</p>	
 <p>Arden Architectural Specialties, Inc.™</p>		<p>151 FIFTH AVE. NW SUITE J ST. PAUL, MN 55112-3268 TOLL-FREE 800.521.1826 TEL 651.631.1607 FAX 651.631.0251</p>	
CUSTOMER:	CUST. NO:	JOB NO:	SHEET OF