

INSTALLATION INSTRUCTIONS CORNER GUARD SYSTEMS

CG-SS-F2, CG-SS-F3

INSTALLATION:

Flush mount stainless steel corner guards are designed to run floor to ceiling, and therefore no end caps are provided. They should be mounted before the final layer of dry wall has been installed.

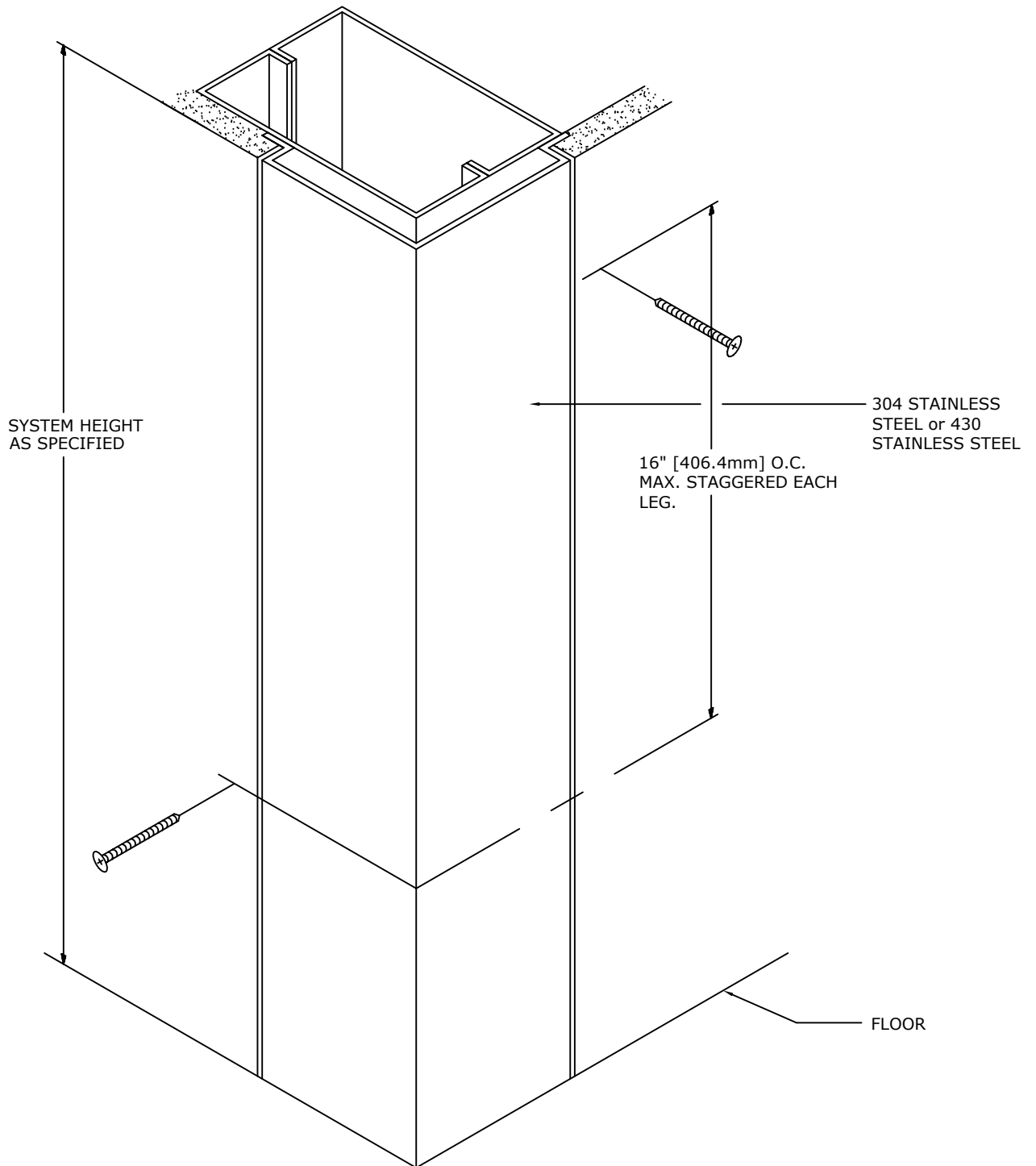
They are attached with dry-wall screws to the studs at the intersection of the walls as shown on attached details.



Arden
Architectural
Specialties, Inc.™

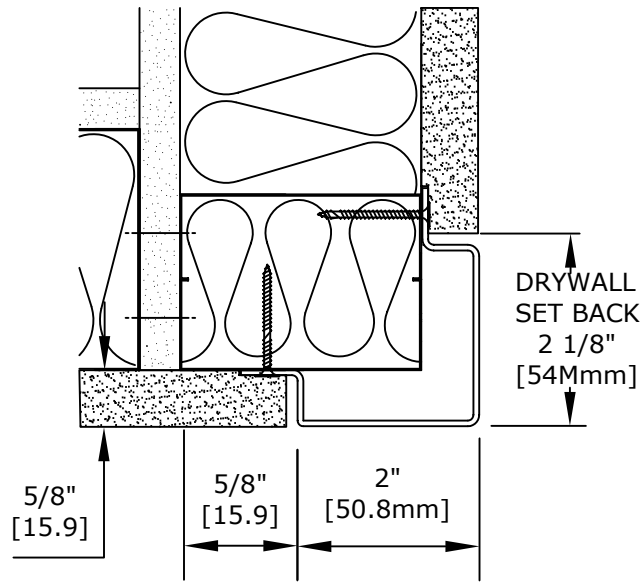
151 FIFTH AVE. NW SUITE J ST. PAUL, MN 55112-3268
TOLL-FREE 800.521.1826 TEL 651.631.1607 FAX 651.631.0251

STANDARD ISOMETRIC DETAIL
CG-SS-F2, CG-SS-F3

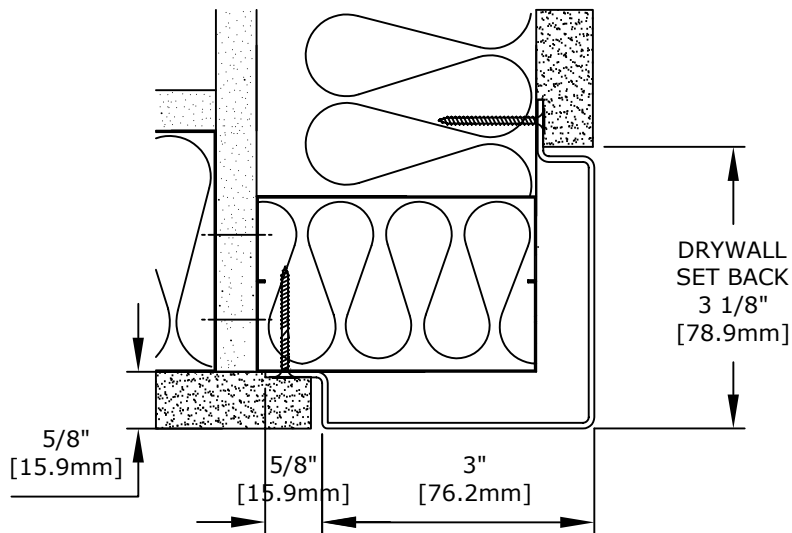


PARTS LIST

CG-SS-F2, CG-SS-F3



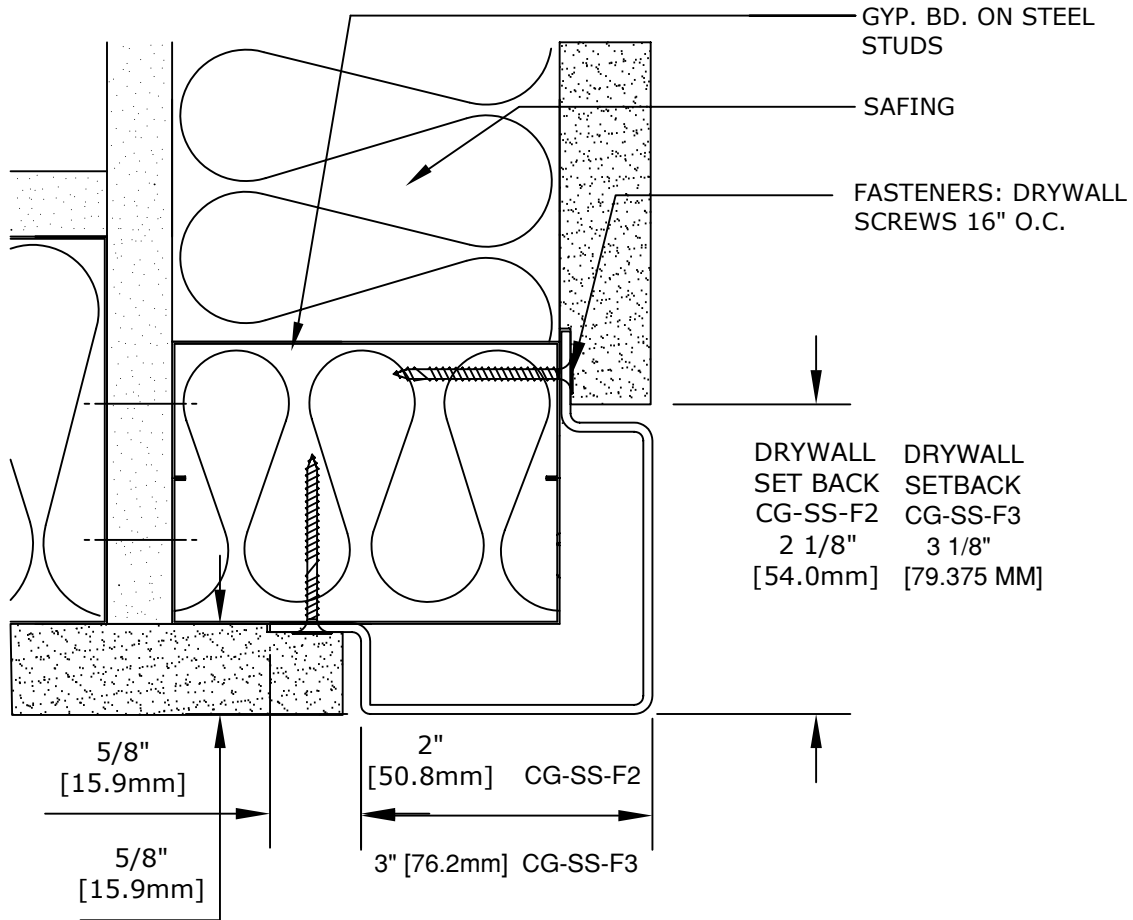
CG-SS-F2



CG-SS-F3

PLAN VIEW

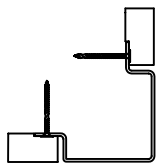
CG-SS-F2, CG-SS-F3



IMPORTANT: USER SHALL VERIFY CONFORMANCE OF ALL CONSTRUCTIONS SHOWN WITH LOCAL CODES AND WITH REQUIREMENTS OF METAL STUD MANUFACTURER FOR RATINGS. FASTENERS AND PARTITION COMPONENTS NOT BY ARDEN ARCHITECTURAL SPECIALTIES, INC.

TYPICAL FASTENING CONDITIONS SHOWN BELOW

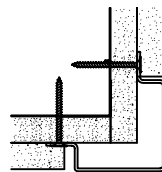
1 LAYER GYP. BD.



#6 x 2"
DRYWALL SCREW

QTY:

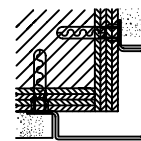
2 LAYERS GYP. BD.



#6 x 2"
DRYWALL SCREW

QTY:

GYP. BD. & MASONRY



#6 X 1-1/2" S.M. SCREW
AND TYPE AF5 ALLIGATOR
ANCHORS BY MECHANICAL
PLASTICS

QTY:

SPECIFICATION:

GENERAL: FURNISH AND INSTALL CORNER GUARD SYSTEM(S) BY ARDEN ARCHITECTURAL SPECIALTIES, INC., AS SHOWN AND SPECIFIED.

INSTALLATION: SECURE TO WALL OR PARTITION IN ACCORDANCE WITH MANUFACTURER'S PRINTED INSTRUCTIONS. USE FASTENERS DESIGNED AND APPROVED FOR PURPOSE. INTENDED, SPACED 16 INCHES [406.4 mm] O.C. EACH LEG.



151 FIFTH AVE. NW SUITE J ST. PAUL, MN 55112-3268
TOLL-FREE 800.521.1826 TEL 651.631.1607 FAX 651.631.0251