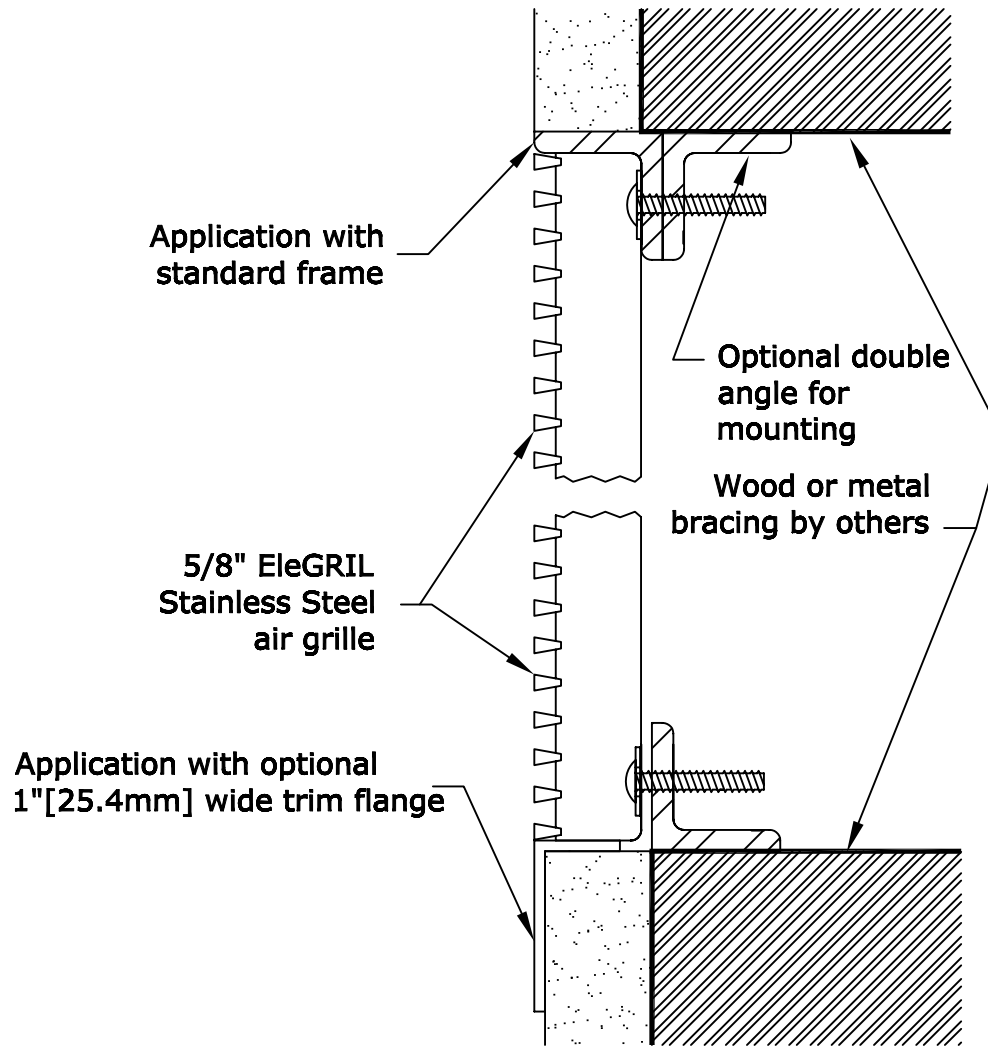


ele GRIL[®] SS-58G WITH STAINLESS WALL MOUNT DETAIL




With lustrous stainless steel and resistance welded construction throughout, the EleGRIL[®] stainless steel air grille is elegant and durable. In wall mounted applications, EleGRIL[®] stainless steel grilles stand up to impacts from carts, gurneys or other hazards that easily destroy aluminum air grilles. This product carries a five-year warranty.

SPECIFICATION:

Model SS-58G EleGRIL 5/8" (15.9mm) stainless steel air grille with .093" (2.4mm) x .156" (4.0mm) type 304 stainless steel wire space .233" (5.9mm) o.c. and welded to support rods spaced 1" (25.4mm) o.c.; with [type SS-58SF double angle frame][type SS-58SF angle frame with trim flange] by Arden Architectural Specialties, Inc.; with hidden lock-downs; specify free air space of 57%.

Complete specifications available on our website at www.ardenarch.com.

| | | | | |
|---------------|---------------------|------------------------|--------------|---|
| CUST. ORDER # | ARCHITECT | | |  Arden Architectural Specialties, Inc. [™] 151 FIFTH AVE. NW SUITE J ST. PAUL, MN 55112-3268 TOLL-FREE 800.521.1826 TEL 651.631.1607 FAX 651.631.0251 |
| CUSTOMER | CONTRACTOR | | | |
| PROJECT | RAIL MODEL SS-58 | FRAME MODEL SS-58SF | SCALE NTS | |