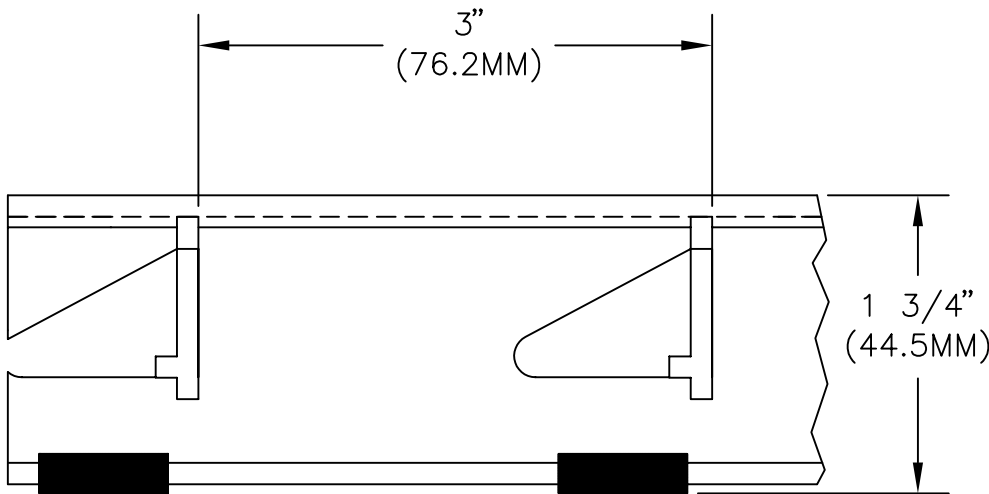


Plain Thin Line grates have continuous I-beam tread rails and can be fabricated with curves and angles. Constructed with sturdy keylocks every three inches, Thin Line grates can stand up to almost any traffic.

DETAIL NOTES:


- 1 - Tread rails must run perpendicular to traffic direction.
- 2 - Traffic direction dimensions can only be changed in 3/4" (19.1mm) increments unless aluminum filler is attached to the frame.
- 3 - Grate dimensions allow for clearance between grate sections and frames in the width dimension.



SPECIFICATION:

GrateDesign model G-550P Thin Line grate by Arden Architectural Specialties, Inc.; with 1-3/4" (44.5mm) deep, 6063-T52 aluminum alloy rails, spaced 3/4" (19.1mm) o.c.; with keylocks spaced 3" (76.2mm) o.c.; use with [type F-1 level bed][type F-LANG large angle][type F-2 deep pit][type F-2T thin slab] frame.

Complete specifications available on our website at www.ardenarch.com.

CUST. ORDER #	ARCHITECT			 Arden Architectural Specialties, Inc. [™] 151 FIFTH AVE. NW SUITE J ST. PAUL, MN 55112-3268 TOLL-FREE 800.521.1826 TEL 651.631.1607 FAX 651.631.0251
CUSTOMER	CONTRACTOR			
PROJECT	RAIL MODEL G-550P	FRAME MODEL N/A	SCALE NTS	