

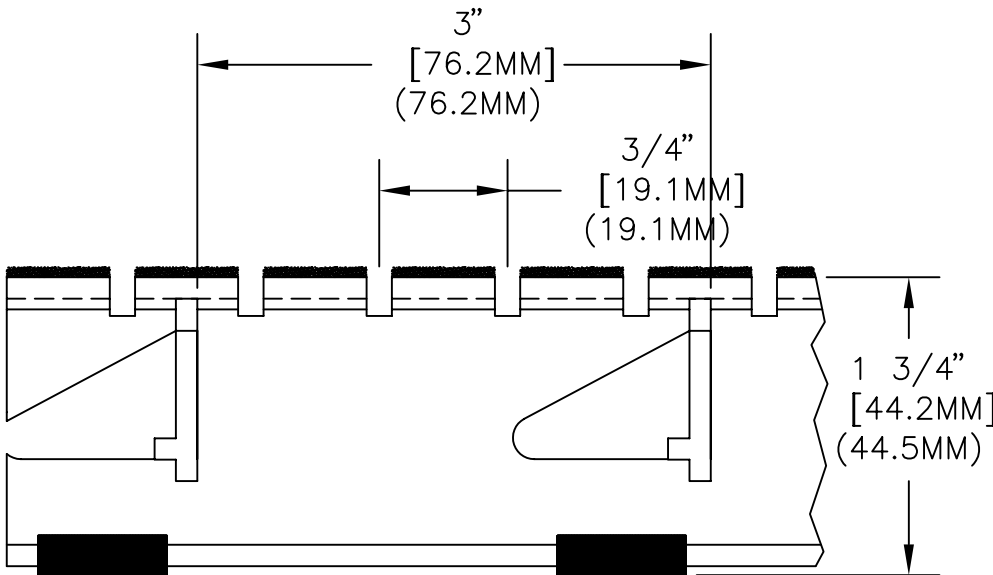
Striations cut perpendicular to the tread rails create a clean grid pattern that removes dirt regardless of the direction traffic passes. Constructed with sturdy keylocks every three inches, Thin Line grates can stand up to almost any traffic. Epoxy resin grit has a high coefficient of friction to prevent slipping hazards.

DETAIL NOTES:


- 1 - Tread rails must run perpendicular to traffic direction.
- 2 - Traffic direction dimensions can only be changed in 3/4" (19.1mm) increments unless aluminum filler is attached to the frame.
- 3 - Grate dimensions allow for clearance between grate sections and frames in the width dimension.

SPECIFICATION:

GrateDesign model G-550G aluminum abrasive waffle grate by Arden Architectural Specialties, Inc.; with 1-3/4" (44.5mm) deep, 6063-T52 aluminum alloy rails, with treads of aluminum-oxide grit, factory bonded in a two-part epoxy coating; spaced 3/4" (19.1mm) o.c.; with keylocks spaced 3" (76.2mm) o.c.; use with [type F-1 level bed][type F-LANG large angle][type F-2 deep pit][type F-2T thin slab] frame.



Complete specifications available on our website at www.ardenarch.com.

CUST. ORDER #		ARCHITECT		 Arden Architectural Specialties, Inc.™ 151 FIFTH AVE. NW SUITE J ST. PAUL, MN 55112-3268 TOLL-FREE 800.521.1826 TEL 651.631.1607 FAX 651.631.0251
CUSTOMER		CONTRACTOR		
PROJECT	RAIL MODEL G-575G	FRAME MODEL N/A	SCALE NTS	